

3-338310-2 ✓ ACTIVE

AMPLIMITE | AMPLIMITE HDP-20

TE Internal #: 3-338310-2

PCB D-Sub Connectors, Plug, Cable-to-Board, 15 Position, 2.74 mm

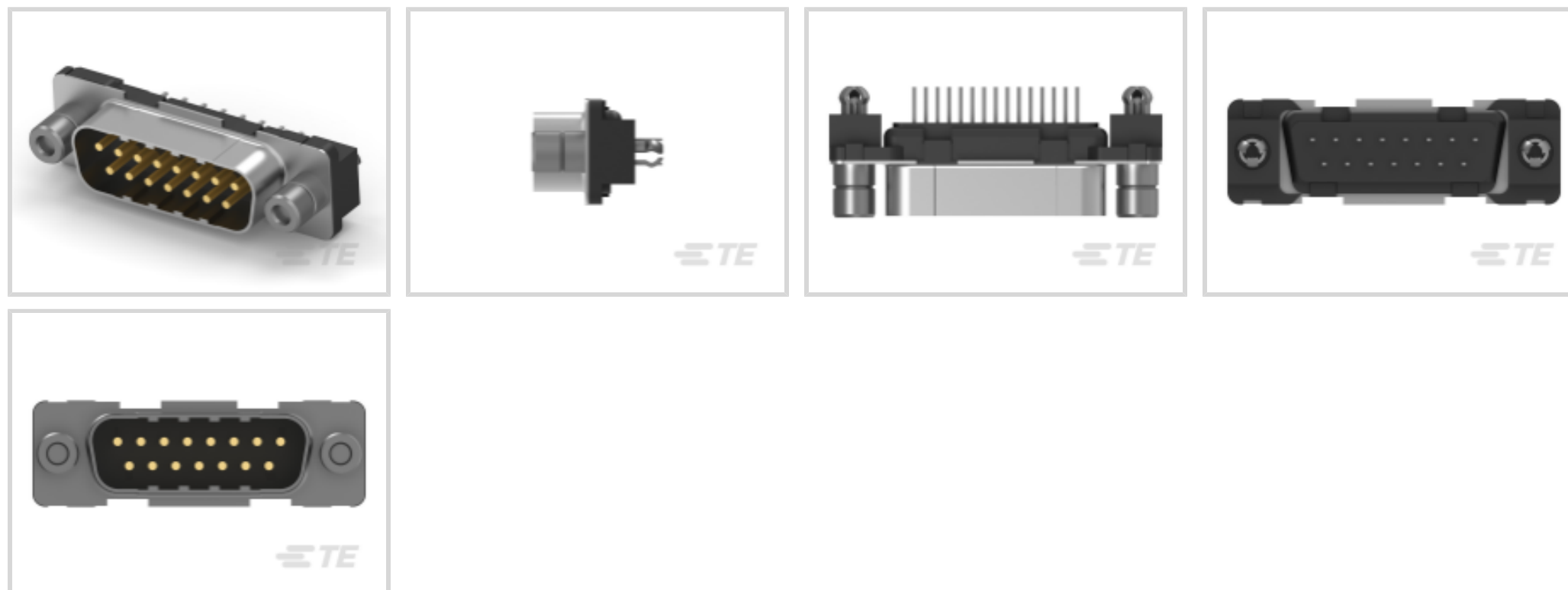
[.108 in] Centerline, 2 Row, Size 2, Round, Standard Profile,

AMPLIMITE HDP-20

[View on TE.com >](#)



Connectors > D-Shaped Connectors > D-Sub Connectors > PCB D-Sub Connectors > D-Sub Plug Assembly: Standard, Vertical, Shell Size 2, 2.74mm



Connector & Housing Type: **Plug**

Connector System: **Cable-to-Board**

Number of Positions: **15**

Centerline (Pitch): **2.74 mm [.108 in]**

Number of Rows: **2**

[All D-Sub Plug Assembly: Standard, Vertical, Shell Size 2, 2.74mm \(30\)](#)

Features

Product Type Features

Grounding Straps	Without
Grounding Indents	Without
Grounded	No
Shell Type	Front Metal Shell
Connector & Housing Type	Plug
Connector System	Cable-to-Board
D-Sub Shell Size	2
Sealable	No
Connector & Contact Terminates To	Printed Circuit Board
Shielded	No
Product Type	Connector

Configuration Features

Performance Level	Level 2
-------------------	---------



Number of Positions	15
Number of Rows	2
PCB Mount Orientation	Vertical
Preloaded	Yes

Body Features

Plastic	No
Connector Profile	Standard
Color	Black
Shell Material	Steel
Shell Plating Material	Tin

Contact Features

Contact Mating Area Plating Material	Gold
Contact Underplating Material	Nickel
PCB Contact Termination Area Plating Material	Tin
Contact Base Material	Phosphor Bronze
Contact Shape & Form	Round
Contact Current Rating (Max)	6 A
	30 μ in

Termination Features

Grounding Clips	Without
Termination Method to Printed Circuit Board	Through Hole - Solder
Termination Post Length	3.2 mm[.126 in]

Mechanical Attachment

Panel Mount Feature	Without
PCB Mount Retention	With
PCB Mount Retention Type	Boardlock
Mating Retention	With
Mating Retention Type	Female Screwlocks, 4-40 UNC
Connector Mounting Type	Board Mount
Boardlock Material	Phosphor Bronze
Boardlock Plating Material	Tin
Mounting Hole Diameter	5 mm



Housing Features

Centerline (Pitch)	2.74 mm [.108 in]
Housing Material	Glass Filled Polyester
Housing Color	Black

Dimensions

Row-to-Row Spacing	2.84 mm [.112 in]
PCB Thickness (Recommended)	1.6 mm [.063 in]

Usage Conditions

Operating Temperature Range	-55 – 105 °C [-67 – 221 °F]
-----------------------------	-----------------------------

Operation/Application

Circuit Application	Signal
---------------------	--------

Industry Standards

Approved Standards	DIN 41652
UL Flammability Rating	UL 94V-0

Packaging Features

Packaging Method	Tray
Packaging Quantity	45

Product Compliance

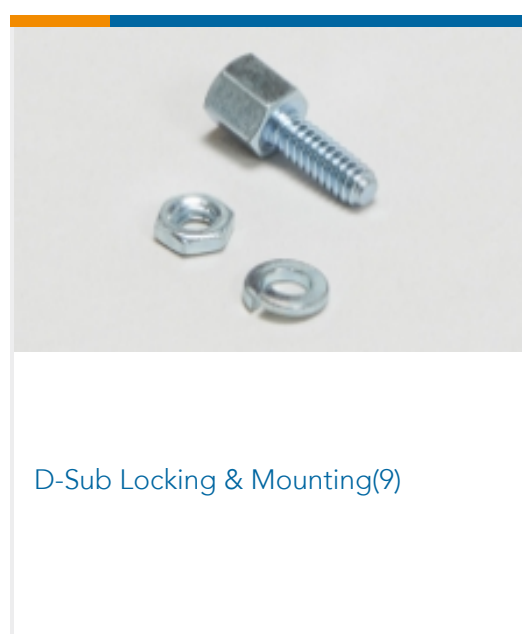
[For compliance documentation, visit the product page on TE.com>](#)

EU RoHS Directive 2011/65/EU	Compliant with Exemptions
EU ELV Directive 2000/53/EC	Compliant with Exemptions
China RoHS 2 Directive MIIT Order No 32, 2016	Restricted Materials Above Threshold
EU REACH Regulation (EC) No. 1907/2006	Current ECHA Candidate List: JUNE 2022 (224) Candidate List Declared Against: JUNE 2022 (224) SVHC > Threshold: Pb (.35% in Component Part) Article Safe Usage Statements: Do not eat, drink or smoke when using this product. Wash thoroughly after handling. Recycle if possible and dispose of the article by following all applicable governmental regulations relevant to your geographic location.
Halogen Content	Not Low Halogen - contains Br or Cl > 900 ppm.
Solder Process Capability	Wave solder capable to 265°C

Product Compliance Disclaimer

This information is provided based on reasonable inquiry of our suppliers and represents our current actual knowledge based on the information they provided. This information is subject to change. The part numbers that TE has identified as EU RoHS compliant have a maximum concentration of 0.1% by weight in homogenous materials for lead, hexavalent chromium, mercury, PBB, PBDE, DBP, BBP, DEHP, DIBP, and 0.01% for cadmium, or qualify for an exemption to these limits as defined in the Annexes of Directive 2011/65/EU (RoHS2). Finished electrical and electronic equipment products will be CE marked as required by Directive 2011/65/EU. Components may not be CE marked. Additionally, the part numbers that TE has identified as EU ELV compliant have a maximum concentration of 0.1% by weight in homogenous materials for lead, hexavalent chromium, and mercury, and 0.01% for cadmium, or qualify for an exemption to these limits as defined in the Annexes of Directive 2000/53/EC (ELV). Regarding the REACH Regulation, the information TE provides on SVHC in articles for this part number is based on the latest European Chemicals Agency (ECHA) 'Guidance on requirements for substances in articles' posted at this URL: <https://echa.europa.eu/guidance-documents/guidance-on-reach>

Compatible Parts

Also in the Series | **AMPLIMITE HDP-20**

Documents

Product Drawings

15POS.HD20 PLUG ASS'Y

English

CAD Files

Customer View Model

[ENG_CVM_CVM_3-338310-2_D.2d_dxf.zip](#)

English

3D PDF

3D

Customer View Model

[ENG_CVM_CVM_3-338310-2_D.3d_igs.zip](#)

3-338310-2

PCB D-Sub Connectors, Plug, Cable-to-Board, 15 Position, 2.74 mm [.108 in]
Centerline, 2 Row, Size 2, Round, Standard Profile, AMPLIMITE HDP-20



English

Customer View Model

[ENG_CVM_CVM_3-338310-2_D.3d_stp.zip](#)

English

By downloading the CAD file I accept and agree to the [Terms and Conditions](#) of use.

Product Environmental Compliance

[MD_3-338310-2_050120162352_dmtec](#)

English

[MD_3-338310-2_050120162352_dmtec](#)

English